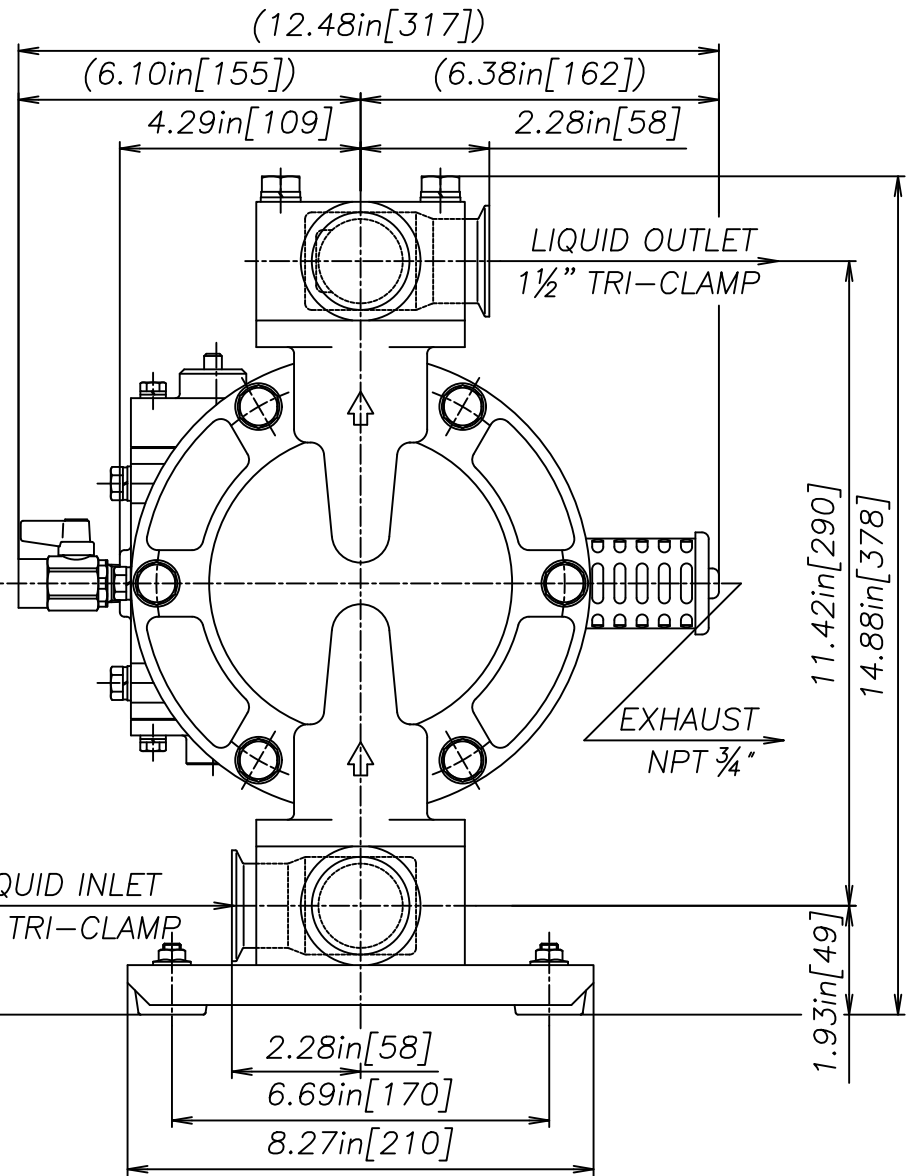


AIR INLET
NPT $\frac{3}{8}$ "

7.64in[194]

LIQUID INLET
 $1\frac{1}{2}$ " TRI-CLAMP



REV	DATE	DESCRIPTION	APPR'D
THE DWG.OF:			
DIAPHRAGM PUMP ASSEMBLY			
SCALE	NTS	DRAWN BY	MK
DATE	12/13/21	APPROVED BY	S.K.
THIRD ANG.PROJ.	DRAWING NUMBER:		REV
	NDP-25BS FDA		0

YAMADA AMERICA, INC.
 955 EAST ALGONQUIN RD, ARLINGTON HEIGHTS, IL 60005
 TOLL FREE 800-990-7867 OR 847-631-9200
 THIS IS A CAD DRAWING AND MUST NOT BE ALTERED MANUALLY.